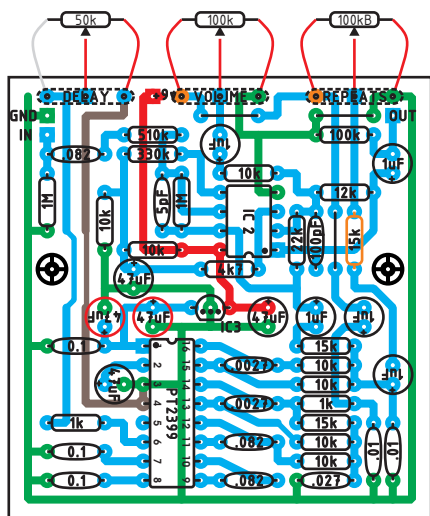


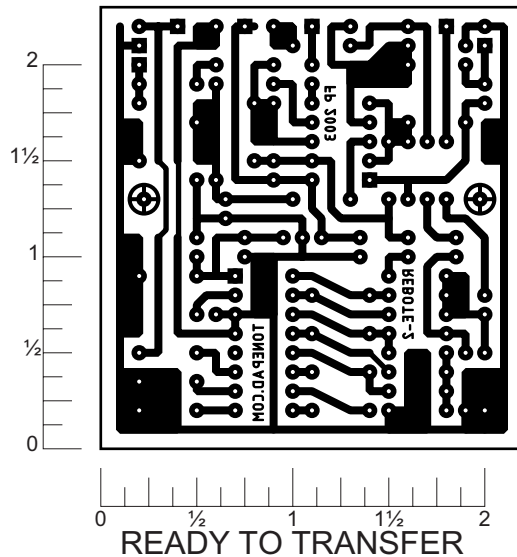
REBOTE 2 DELAY

Rev.4.Sep.28.2004

This is the improved version of the original Rebote delay, it adds a 'wet level' control. Off board components except for the potentiometers are not shown on the layout. Trademarks are property of their owners.



LAYOUT



Parts List

Resistors

- 2 - 1M
- 1 - 510k
- 1 - 330k
- 1 - 100k
- 1 - 22k
- 3 - 15k
- 7 - 10k
- 1 - 12k
- 1 - 4k7
- 2 - 1k

Capacitors

- 1 - 100 µF*
- 3 - 47 µF
- 5 - 1 µF
- 3 - 0.1µF
- 2 - 0.01 µF
- 1 - 0.027 µF
- 2 - 0.0027 µF
- 1 - 100pF
- 1 - 5pF

IC's

- IC1 - PT2399
- IC2 - TL072
- IC3 - 5v Reg

Pots

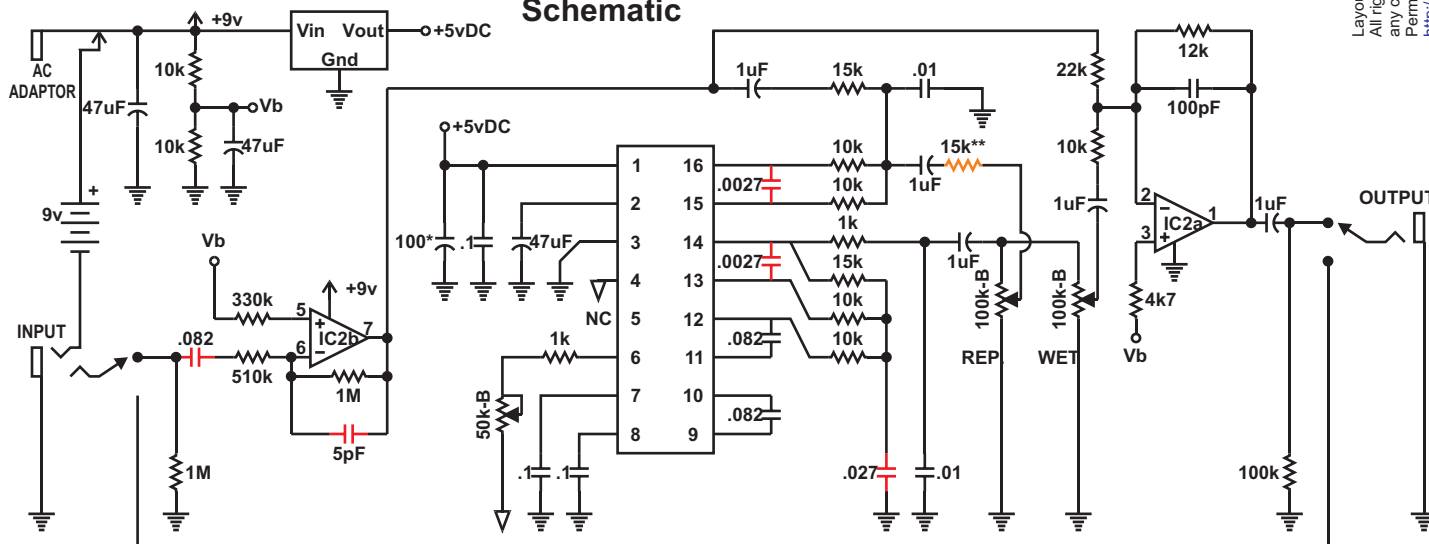
- 2 - 100k lin.
- 1 - 50k lin.

NOTES:

* The 100uF capacitor in the schematic is changed to two 47uF in parallel in the layout, you can use either configuration.

** Can be changed from 15k to 10k to be able to get endless repeats when repeats pot is maxed.

Schematic



Layout and presentation by Francisco Peña 2001 2002©.
 All rights reserved. Authorization for personal use only.
 any commercial use is forbidden.
 Permission for posting/serving limited to
<http://www.tonepad.com>
 Permission refused for posting from other sites.