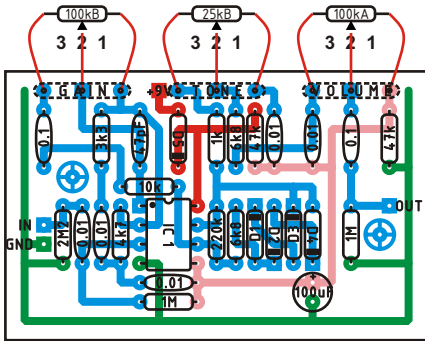
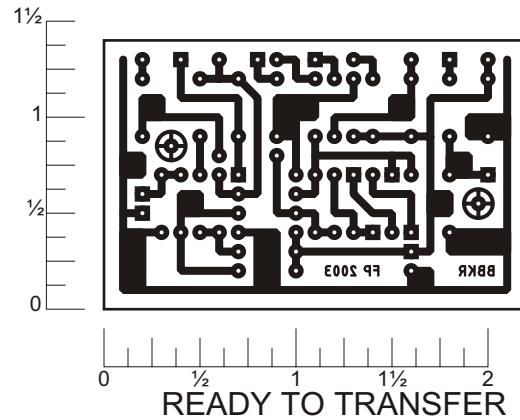


Build a Bluesbreaker work alike with true bypass on this layout. Off board components except for the potentiometers are not shown on the layout. Trademarks remain property of their owners.



LAYOUT



Parts List

Resistors

- 1 - 1k
- 1 - 3.3k (3k3)
- 1 - 4.7k (4k7)
- 2 - 6.8k (6k8)
- 1 - 10k
- 2 - 47k
- 1 - 220k
- 2 - 1M
- 1 - 2.2M (2M2)

Pots

- 1 - 100k Lin
- 1 - 100k Log
- 1 - 25k Lin

Capacitors

- 1 - 100 μ F
- 5 - 0.01 μ F
- 2 - 0.1 μ F
- 1 - 47 pF

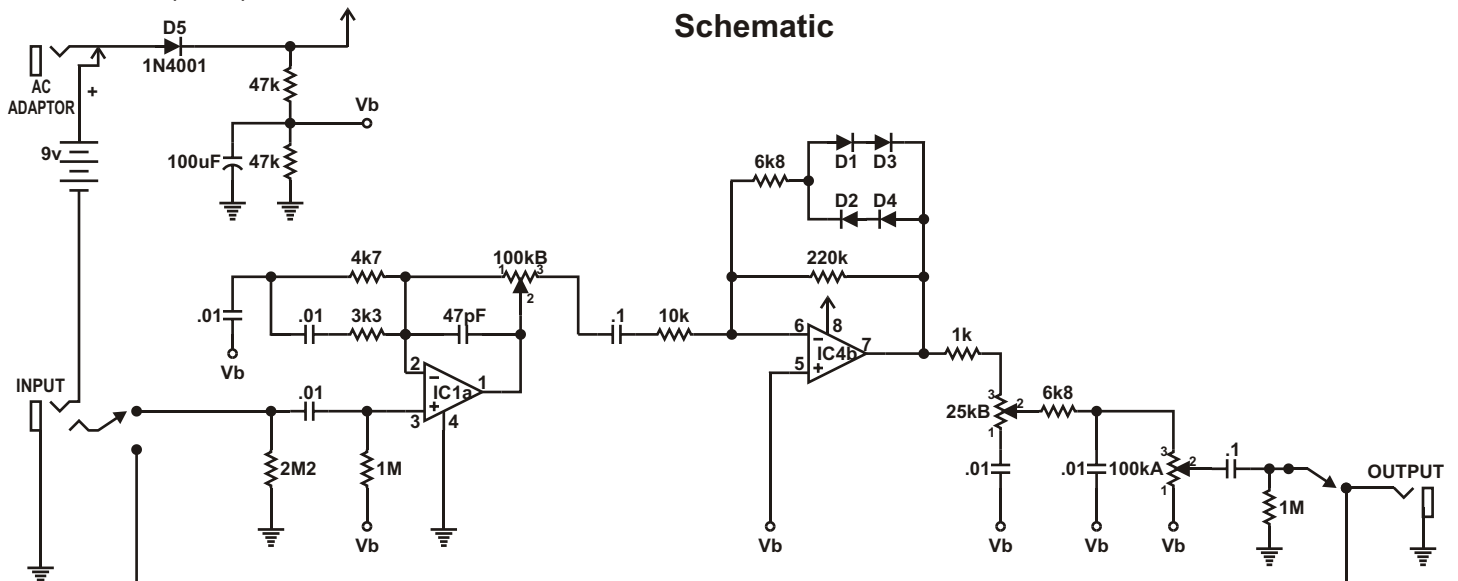
Diodes

- D1 - 1N914
- D2 - 1N914
- D3 - 1N914
- D4 - 1N914
- D5 - 1N4001

IC's

- IC1 - TL072

Schematic



Layout and presentation by Francisco Peña 2001 - 2003©.
 All rights reserved. Authorization for personal use only.
 any commercial use is forbidden.
 Permission for posting/serving limited to
<http://www.tonepad.com>
 Permission refused for posting from other sites.